

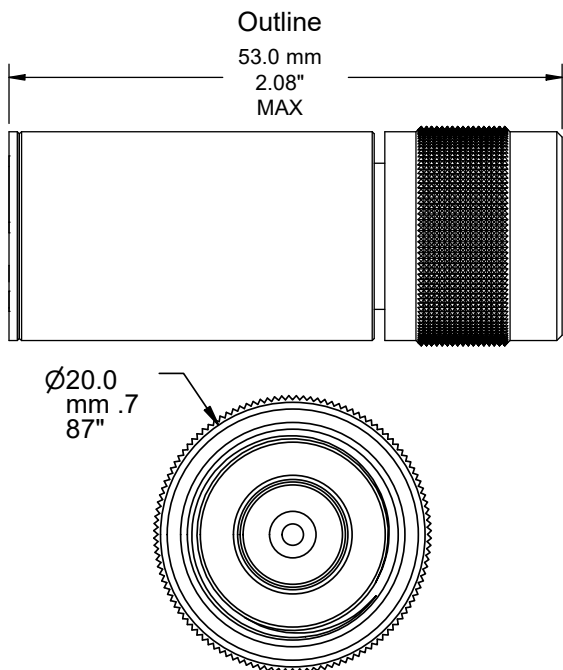


DC - 18.0 GHz.

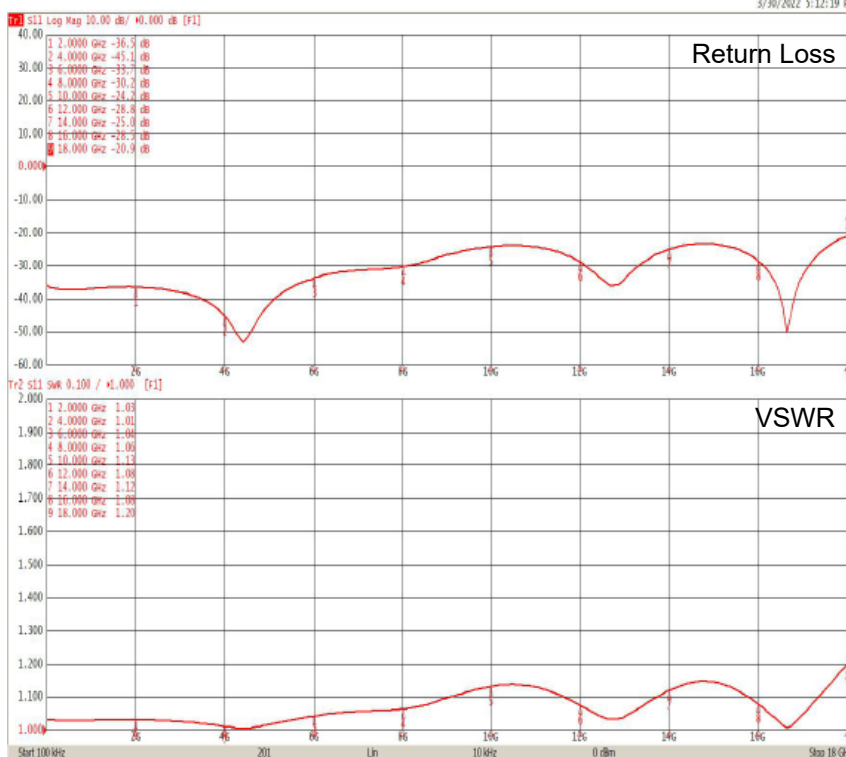
Model: CTRNX5-DC-18G



P3's Coaxial Terminations are convection cooled and can handle full rated power at 25 degrees C, and have an operating temperature range of -55 to +85 degrees C. These terminations are commonly integrated with antenna and transmitter systems as dummy loads. Other common applications are for multi-port RF/Microwave devices such as Circulators/Isolators and Directional Couplers or to terminate any 50 ohm impedance port for matching or external power dumping. The CTRNX5-DC-18G termination's average power is 5 watts over the frequency range of DC-18 GHz. and exhibits low_VSWR across the band with excellent power capacity in pulse applications.



Performance Data



ENVIRONMENTAL SPECIFICATION

- Thermal Shock: MIL-STD-202, Method 107, Condition B
- Moisture Resistance: MIL-STD-202, Method 106
- Salt Fog Test: MIL-STD-202, Method 101, Condition B
- Vibration: MIL-STD-202, Method 204, Condition B
- Shock: MIL-STD-202, Method 213, Condition I
- Connectors: MIL-STD-348A

ELECTRICAL SPECIFICATION

- Frequency Range: DC - 18.0 GHz.
- Impedance: 50 Ω
- DC Resistance: 50 Ω ±5%
- Average Power: 5 W at 25° C, 0.5 W at +125° C
- Peak Power: 0.5KW (5µs pulse, 1% duty cycle)
- VSWR: 1.3:1Max.
- Operating Temp.: -55° C to +85° C

MECHANICAL SPECIFICATION

- Connector: "N" Male or Female Brass, Ni Plated
- P/N Gender: CTRNM = Male, CTRNF = Female
- Center Contact: Brass, Gold Plated
- Body: Aluminum, Black Anodized
- Weight: 50 grams
- Storage Temp.: -55° C to +125° C

For more information Contact Sales: sales@p3-rf.com